



**eltex**

electrostatic  
innovations



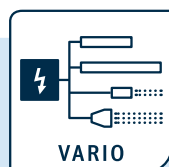
## PRO IONIZER ES61

### HIGH-END discharge with patented Performance Control

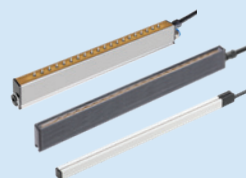
The PRO IONIZER is a powerful and flexible device which is suitable for absolutely any application. With the new Performance Control, each discharging component can be supervised and displayed separately. With different adjustable process parameters and several interfaces the PRO IONIZER sets a new benchmark.

#### Advantages at a glance

- Performance Control for each output
- Voltage, frequency and balance adjustable
- Operation via membrane keypad or display
- Interfaces: optional I/O and fieldbus
- Speed- and E-Field-Sensor optional



Suitable for connecting one or more Eltex discharge components:



Discharging bars



Ion blower nozzles



Ion blower guns

## PRO IONIZER ES61

### Technical Information

Input		
Supply voltage	90–264 V AC, 47–63 Hz	24 V DC +/-15 %
Power consumption	50 Watt max.	
Inrush current	maximum 75 A	–
Recommended Release characteristic	2 A/C according to DIN EN 60947-2	4 A/C according to DIN EN 60947-2
Connectivity		
Operation	optional: membrane keypad or display	
Interfaces	optional: I/O, fieldbus, Speed- and E-Field-Sensor	
Output		
Voltage	3,5 – 5 kV AC	
Current	max. 6.2 mA	
Frequency	50 – 200 Hz	
Pluggable high voltage connections	4	
Performance Control		
Ion balance	Ion parameter, voltage, frequency	
Function monitoring	yes, for each channel separate	
Pollution monitoring	yes, for each channel separate	
Passive operating mode	yes	
Key data		
Housing type	Sheet steel with mounting bracket	
Operating ambient temperature	+5...+50 °C	
Storage temperature	–20...+80 °C	
Ambient humidity	max. 80 % r.h. non-condensing	
Protection class	IP54 according to EN 60529	
Housing dimensions [LxWxH]	240 x 180 x 100 mm	
Weight	approx. 4.1 kg	
Approvals	optional suitable for the usage of EX bars	
Following Standards are fulfilled		
ANSI-ESD-STM3.1, RCJS-TR-5-4, JIS C 61340-4-7, IEC 61340-4-7 ED.2 Ionbalance*		

\* with defined parameters

### Dimensions

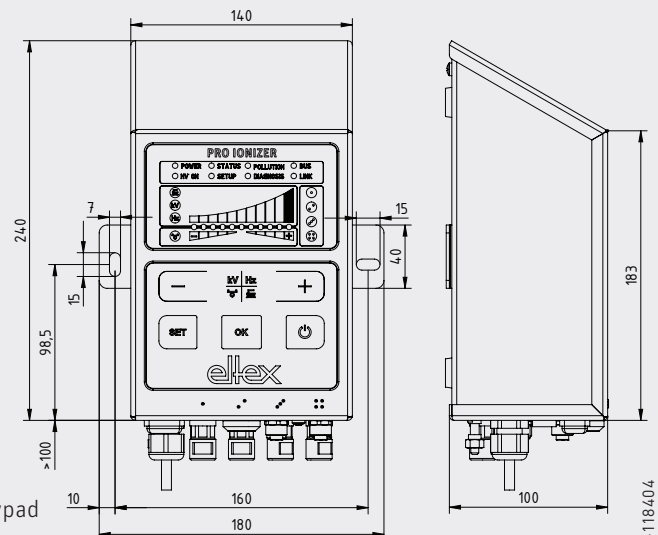


#### E-Field-Sensor

114944: +/- 0,4 kV at 25 mm  
118599: +/- 20 kV at 50 mm

#### PRO IONIZER

with membrane keypad



Z-118404