

DISCHARGING



eltex

electrostatic
innovations



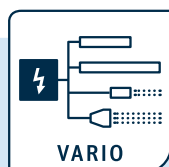
slimBAR R47

Compact design for the entry model

The particularly small and yet economical slimBAR R47 combines proven Eltex know-how with an attractive price. Its compact dimensions make the slimBAR R47 suitable for a wide range of applications.

Advantages at a glance

- › very small cross section
- › reliable discharge performance
- › optimal price/performance ratio



VARIO

Suitable for connecting
one or more Eltex
discharge components:



PRO IONIZER ES61



BASE IONIZER ES60



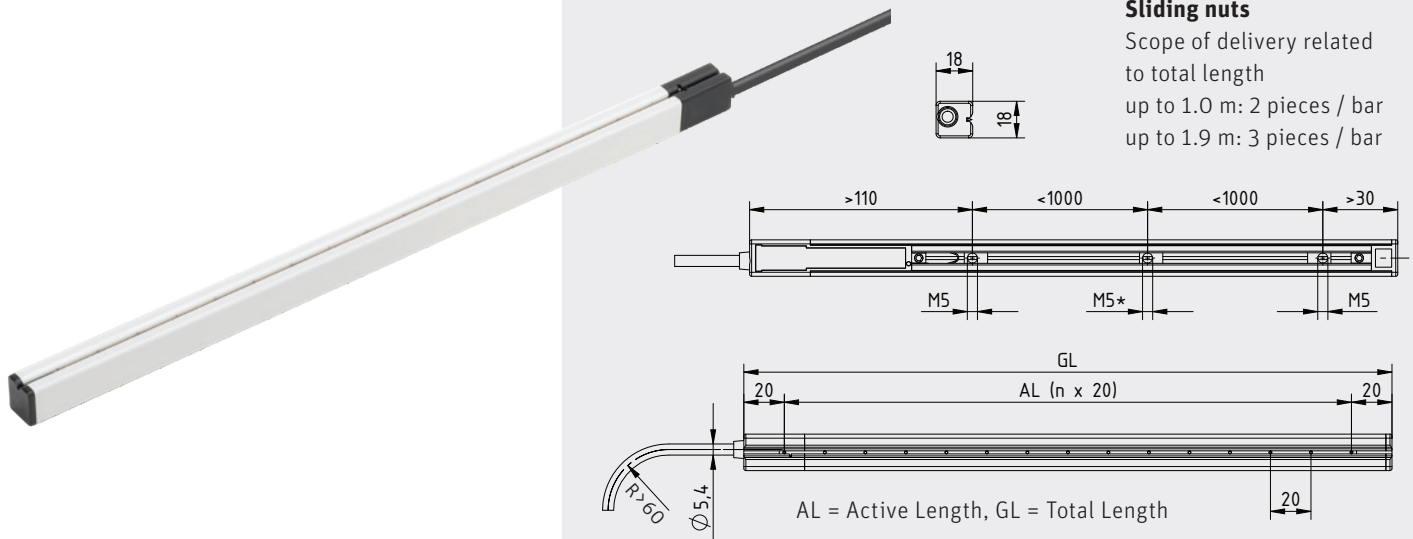
COMPACT IONIZER ES24



Technical Information

Bar element	glass-fibre-reinforced plastic GRP
Emission tips	stainless steel
Installation material	sliding nuts M5 in the carrier profile
Operating ambient temperature	0 ... +70 °C
Ambient humidity	max. 70 % RH, non-dewing
Available active lengths	120 – 1860 mm in 20 mm steps
Dimensions	18 x 18 mm, max. length 1900 mm
Weight	approx. 0.5 kg/m
Operating voltage	max. 5 kV AC
High voltage connection	axial
Short-circuit current/tip	max. 0,5 mA
Contact protection	according to EN 61140
Approval	UL

Dimensions



Mounting Options

The sliding nuts (2) are included in the scope of delivery. In addition, there is a complete bracket HA47 available with short (4) or long angle (3), with and without magnet (5).

