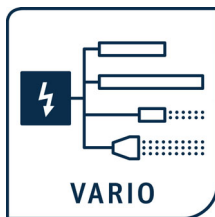


Operating Instructions



F01089y



BASE IONIZER

Series ES60 Power Supply for AC operation

BA-en-2088-2412



List of contents

1	Outline of appliance	5
2	Safety	6
2.1	Proper use	6
2.2	Identification of risks and hazards	6
2.3	Work and operational safety	6
2.4	Technical advance	8
3	Installation and assembly	9
3.1	Assembling the power supply	9
3.2	Ground connection	10
3.3	Discharging bars, ion blower nozzles, ion blower pistols and distributors suitable for connection	10
3.4	Connecting the high voltage cable	10
3.5	Maximum active bar length and length of the high voltage cable .	11
3.6	Connecting the supply voltage	12
3.7	Conneting the function signal	12
4	Operation	13
4.1	Startup	13
4.2	Operating mode with conductive substrates	13
5	Maintenance	13
6	Trouble-shooting	14
7	Technical specifications ES60	15
8	Dimensions	16
9	Spare parts and accessories	17
	Declaration of Conformity	18
	UKCA Conformity	19

Dear Customer,

The BASE IONIZER series ES60 high voltage power supply is an universal power supply unit for controlled discharging.

The ES60 power supply units may only be operated with the associated Eltex discharging bars for AC operation and the ion blower nozzles, the ion blower pistols and distributors, each with a permanently connected high voltage cable.

The discharging bars and the ES60 power supply are used mainly in cases where disruptive static charges impair production processes and need to be eliminated.

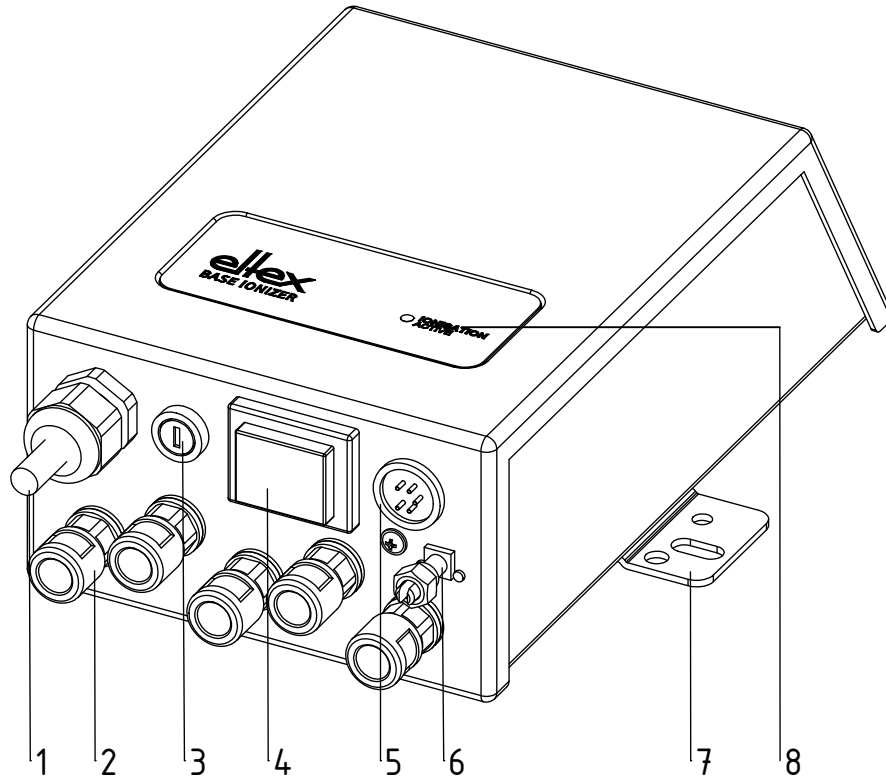
The ES60 power supply features the following characteristics:

- 5 plug-type high voltage outputs
- stable 5 kV AC output voltage
- optional function monitoring
- optional ionization status display
- optional external high voltage release
- small dimensions
- easy installation
- protection class IP54 design

Please read the operating instructions carefully before starting the instrument. This will help you prevent personal injuries and damage to property.

Please give us a call if you have any suggestions, proposals or ideas for improvements. We greatly appreciate the feedback from the users of our appliances.

1. Outline of appliance



*Fig. 1:
ES60 high voltage
power supply for
AC operation*

- 1 Power supply lead
- 2 High voltage terminals (5 pcs)
- 3 Fuse (type: see name plate)
- 4 ON/OFF switch (ON = illuminated)
- 5 Plug for functional signal (optional)
- 6 Grounding terminal
- 7 Mounting bracket
- 8 Ionization status display (optional)

Z-118094y

2. Safety

The ES60 Power Supplies have been designed, built and tested using state-of-the-art engineering, and have left the factory in a technically and operationally safe condition. If used improperly, the units may nevertheless be hazardous to personnel and may cause injury or damage. Read the operating instructions carefully and observe the safety instructions.

For warranty conditions, please refer to the General Terms and Conditions (GTC), see www.eltex.de.

2.1 Proper use

The ES60 Power Supplies may be operated only in connection with the appropriate Eltex discharging bars for AC operation as well as the ion blower nozzles, ion blower pistols and distributors, each with a permanently connected high voltage cable.

Modifications or changes made to the power supplies are not permitted.

Use only original Eltex spare parts and equipment.

The manufacturers will not assume any liability and warranty if the units are used improperly or used outside the intended purpose.

2.2 Identification of risks and hazards

Possible risks and hazards resulting from the use of the power supplies are referred to in these operating instructions by the following symbols:



Warning!

This symbol appearing in the operating instructions refers to operations which, if carried out improperly, may result in serious personal injuries.



Caution!

This symbol appearing in the operating instructions refers to operations which, if carried out improperly, may result in damage to property.

2.3 Work and operational safety



Warning!

Carefully observe the following notes and the complete [chapter 2 "Safety", page 6!](#)

Always observe the rules and regulations applying in your country with reference to electrical appliances.

- Before carrying out repairs, cleaning or maintenance work involving the power supplies and the discharging bars, switch off the power supply and disconnect the mains power supply (see [chapter 5 "Maintenance", page 13](#), [chapter 6 "Trouble-shooting", page 14](#)).

- If electrically conductive substrates or substrates coated with conductive material (e.g. metal foil or metal composites) are used, the mains supply must be interrupted (see [chapter 4.2 "Operating mode with conductive substrats", page 13](#)).
- Before carrying out any work involving the units, the machine which has the units fitted must not be in operation (see [chapter 5 "Maintenance", page 13](#), [chapter 6 "Trouble-shooting", page 14](#)).
- Any work involving the units must be carried out by qualified electricians (see [chapter 5 "Maintenance", page 13](#), [chapter 6 "Trouble-shooting", page 14](#)).
- Before starting the unit make sure that the appliance is permanently grounded via the grounding terminal (5, Fig. 1). The ground cable should have a minimum cross section of 1.5 mm² (see [chapter 3.2 "Ground connection", page 10](#)).
- Check the power supplies and the discharging bars at regular intervals for any damage to the electrical wiring and the high voltage cables. Any damaged components must be repaired or replaced before continuing to operate the units.
- It is not intended to open the device or remove the housing cover. The protection class IP54 only applies if the housing cover is closed and the cable connections are shrouded.
- Connect/disconnect the discharging bars only if the power supply unit is switched off (see [chapter 3.4 "Connecting the high voltage cable", page 10](#)).
- In applications involving moving bars, the high voltage cable must be attached such that there is no cable movement near the connection zone of the power supply unit (see [chapter 3.4 "Connecting the high voltage cable", page 10](#)).
- Both the lengths of the high voltage cable and of the active bars are limited, observe maximum lengths (see [chapter 3.5 "Maximum active bar length and length of the high voltage cable", page 11](#)).
- To ensure that no voltage is supplied to the bars when the material web is at rest, enabling the supply voltage to the power supply via machine contact is recommended. If the material web is at rest, or if the machine is not in operation, no high voltage is supplied to the bars in this case (see [chapter 3.6 "Connecting the supply voltage", page 12](#)).
- Before starting up the power supply the user must make sure that the power supply and the bars have been installed and assembled correctly. The supply voltage can then be switched on (see [chapter 4.1 "Startup", page 13](#)).
- The power supply must be checked regularly to ensure its proper functioning. The connections of the high voltage cables must be free of dirt and other foreign matter (see [chapter 5 "Maintenance", page 13](#)).

2.4 Technical advance

The manufacturer reserves the right to make changes to the technical specifications without prior notice in order to adapt the units to state-of-the-art engineering. Eltex will provide the latest information on any changes or modifications in the operating instructions on request.

3. Installation and assembly

3.1 Assembling the power supply

The power supply is designed for wall mounting. Attach using the brackets provided (installation dimensions, see Fig. 2). The operating elements of the power supply and the terminals must be freely accessible at all times and the display LEDs must be visible.

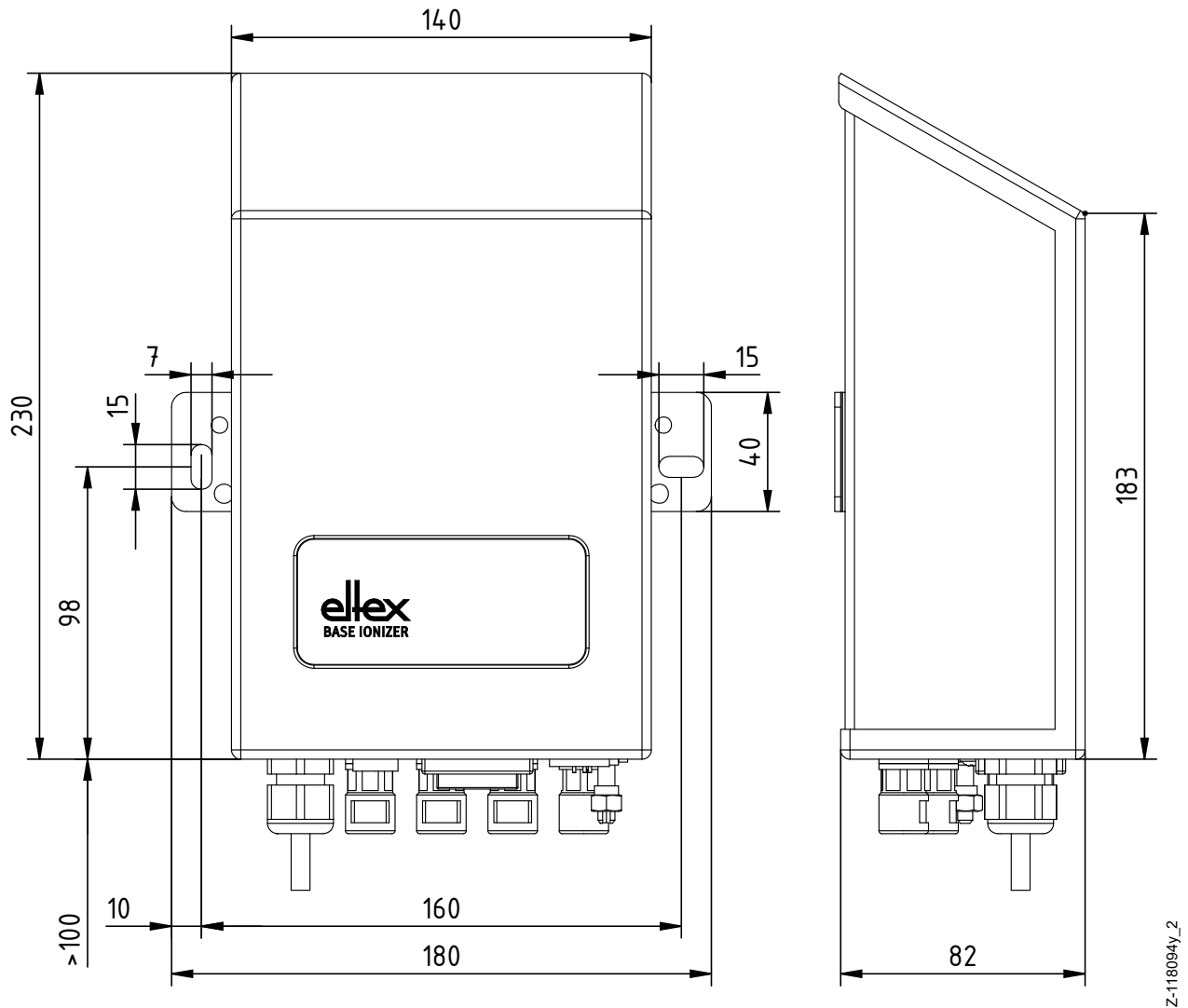


Fig. 2:
Dimensions, ES60 Power Supply



3.2 Ground connection

A permanent ground connection must be made via the grounding terminal (5, Fig. 1). The ground cable should have a minimum cross section of 1.5 mm².

3.3 Discharging bars, ion blower nozzles, ion blower pistols and distributors suitable for connection

Eltex discharging bars for AC operation as well as the ion blower nozzles, ion blower pistols and distributors can be connected to the ES60 power supplies, each with a permanently connected high voltage cable.

3.4 Connecting the high voltage cable



Warning!

Connect or disconnect the high voltage cables only with the power supply switched off!

Connect the discharging bars to the power supply using the prefabricated high voltage cable. Push the high voltage cables into the sockets up to the stop. Then secure the adapter in the socket with the clip provided (see Fig. 3).

Cables without flexible tube and cables with plug-type adapters are plugged in flush and secured with the clip.

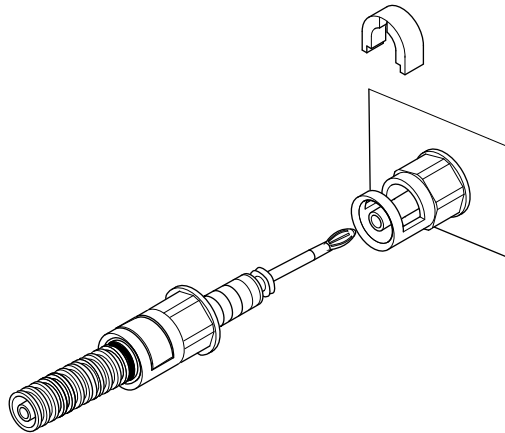


Fig. 3:
Connecting the
high voltage cable



Warning!

In applications involving moving bars, the high voltage cable must be attached such that there is no cable movement near the connection zone of the power supply unit.

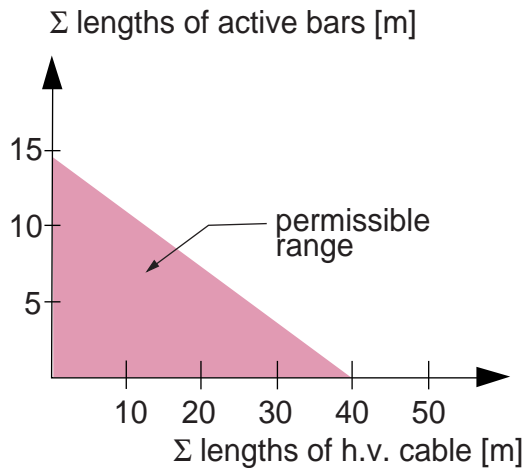
Z00004y

3.5 Maximum active bar length and length of the high voltage cable



Both the lengths of the high voltage cable and of the active bars are limited. The shielded high voltage cables cause a capacitive load on the transformer inside the power supply. The maximum loading capacity is a result of the function of the total active bar length and the total length of all high voltage cables. Fig. 4 demonstrates this principle for R50 bars, R36E ion blower nozzles, R55E ion blower heads and ion blower pistols PR36 and PR55.

Fig. 4:
Loading capacity of the Power Supply as factor of bar length and length of high voltage cable of R50 bars, R36E, R55E, PR36, PR55

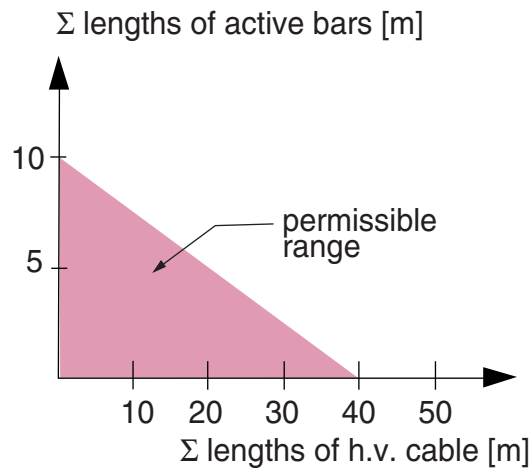


Example:
The maximum permissible total cable length with a 3 meter active bar length is 32 meters.

Z00041e

Fig. 5 demonstrates this principle for R47 and R6x bars.

Fig. 5:
Loading capacity of the Power Supply as factor of bar length and length of high voltage cable of R47 and R6x bars



Z01162e



When connecting several devices (bars, ion blower nozzles, ion blower heads) using an ESVY61 / ESV61 high voltage distributor, the total active bar and cable length must be within the permissible range of the loading capacity diagram (Fig. 4 / Fig. 5).



3.6 Connecting the supply voltage

Connect the supply voltage via the power supply lead (1, Fig. 1) using an earthing pin plug (depending on cable version).

To ensure that no voltage is supplied to the bars when the material web is at rest, enabling the supply voltage to the power supply via machine contact is recommended. If the material web is at rest, or if the machine is not in operation, no high voltage is supplied to the bars in this case.

For external security of the power supply the following circuit breaker is recommended: Tripping Characteristic 2A/K according to DIN EN 60947-2.

3.7 Connecting the function signal

The 5-pin connecting plug M16 (Fig. 6 / Fig. 7) is only provided in units equipped with function monitoring. Depending on the device version, the following signal can be picked up at this connector or the high voltage (only active when 24 V is applied) can be switched externally:

Function monitoring (ES60/E and ES60/F)

- Output voltage active: contact 1, 2, 5 (contact 1 and 5 closed)

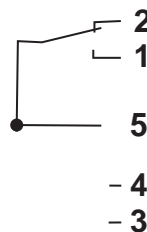


Fig. 6:
Assignment of the
plug for function
signals
(contacts at rest)

Function monitoring and external release (ES60/R)

- Output voltage active: contact 1, 2, 5 (contact 1 and 5 closed)
- external release active: contact 3, 4 ($U = 24 \text{ V DC } \pm 10 \%$, $I < 20 \text{ mA}$)

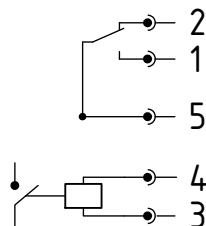


Fig. 7:
Assignment of the
plug for function
signal and external
release
(contacts at rest)

Cables prefabricated at one end are available for connection to this plug (see spare parts). The color assignment corresponds to the color code according to DIN 47100 (1 white, 2 brown, 3 green, 4 yellow, 5 grey).

Z01168y

Z01168y_1 + Z-118226y_2

4. Operation

4.1 Startup



Before starting up the power supply the user must make sure that the power supply and the bars have been installed and assembled correctly. The supply voltage can then be switched on.

Use the toggle switch (4, Fig. 1) to switch on the power supply. In the ON position the switch lights up green. High voltage is now supplied to the discharging bars.

The output voltage is now a constant 5 kV AC.

If the fuse is defective, the switch will not light up.

4.2 Operating mode with conductive substrats

If electrically conductive substrates or substrates coated with conductive material (e.g. metal foil or metal composites) are used, the mains supply must be interrupted. The connected bars discharge the substrates like this in passive operating mode. Check for correct ground connection!

5. Maintenance



Warning!

Electric shock hazard!

- Switch the power supply off and disconnect the supply voltage before carrying out any maintenance or repair work.
- The machine which has the units fitted must not be in operation.
- Any work involving the units must be carried out by qualified electricians.



The power supply must be checked regularly to ensure its proper functioning. The connections of the high voltage cables must be free of dirt and other foreign matter. The intervals for the check depend on the application and must hence be defined by the user according to the operating conditions. The power supply itself does not require any maintenance. Check for correct ground connection!

6. Trouble-shooting



Warning!

Electric shock hazard!

- Switch the power supply off and disconnect the supply voltage before carrying out any maintenance or repair work.
- The machine which has the units fitted must not be in operation.
- Any work involving the units must be carried out by qualified electricians.

Fault	Cause	Measure
No high voltage	<ul style="list-style-type: none">• Lamp in mains power switch lit: transformer defective.• Lamp in mains power switch fails to light: supply voltage not enabled or not connected.• Defective fuse.	<ul style="list-style-type: none">• Inform Eltex Service.• Check supply voltage and connections. Check connected cables, cable connections and bars.• Replace fuse.

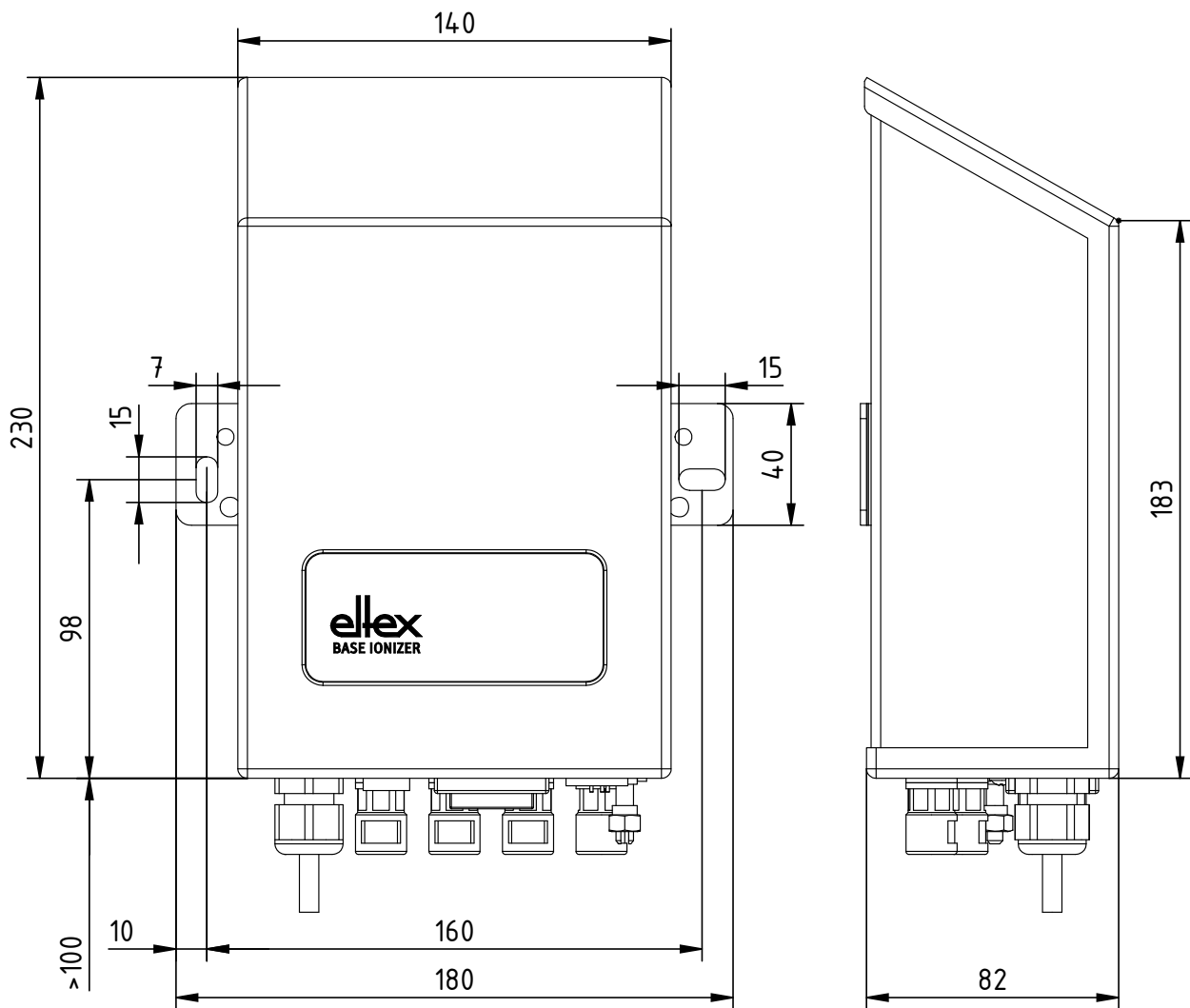
7. Technical specifications ES60

Input	
Supply voltage	115 or 230 V AC 50/60 Hz
Power input	max. 80 VA
Fuse (primary circuit)	see name plate
Recommended protection	Tripping Characteristic 2A/K according to DIN EN 60947-2
Mains power cable	depending on the unit variant, either with grounding contact plug (approx. 2.5 m) or with free end (cable length max. 99 m)
Connectivity	
Operation	illuminated ON / OFF switch
Interfaces	optional
Output	
Voltage	5 kV AC
Current	max. 6,2 mA
Frequency	50/60 Hz
pluggable connections	5
Load capacity	depending on bar type and length and high voltage cable length (see chapter 3.5)
Features	
Ion balance	with and without parameter diode
Function monitoring	optional
passive operating mode	with the power supply unit switched off
Key date	
Housing type	sheet metal steel with wall bracket
Ground link	grounding terminal on housing
Operating ambient temperature	0...+60 °C (+32... +140 °F)
Storage temperature	-20...+80 °C (-4... +176 °F)
Ambient humidity	max. 80 % r.h., non-dewing
Protection class	IP54 according to EN 60529
Housing dimensions	230 x 180 x 82 mm [HxWxD]
Weight	approx. 4 kg
UL Approval	File No. E227156

as shown on
appliance
marking:



8. Dimensions



Z-118096y_2

Fig. 8:
Dimensions ES60 Power Supply

9. Spare parts and accessories

Article	Article No.
High voltage distributor discharging , 4 terminals (1 high voltage cable, 4 outputs) specify plug and socket and cable length	ESV61/_ _
High voltage distributor discharging, 2 terminals (1 high voltage cable, 2 outputs) specify plug and socket and cable length	ESVY61/_ _
Extensxon cable	KE/LB
Plug "L" Set for prefabricating the high voltage cable with flexible tube for power supply ES60	103289
Plug "S" Set for prefabricating the high voltage cable without flexible tube for power supply ES60	101366
Flexible tube for high voltage cable (specify length)	MCH02438
Blanking plug for high voltage connection	102742
Fuse F1 (115 V) 1,25 A T (IEC 60127-2/5)	113522
Fuse F1 (230 V) 0,63 A T (IEC 60127-2/5)	113211
M16 round plug connector 5-pole for function signal	ELM01144
Blanking plug for function plug	ELM01115
Signal cable assembled (specify cable length)	KS/C _ _ _ _
Volt Stick	109136
Operating Instructions (specify language)	BA-xx-2088

Please specify the article number when ordering.

EU-Declaration of Conformity

CE-2089-en-2411

Eltex-Elektrostatik-Gesellschaft mbH
Blauenstraße 67 - 69
D-79576 Weil am Rhein



declares in its sole responsibility that the product

Power Supply Type ES51, ES53, ES60, ES61 (according to Eltex reference code)

complies with the following directives and standards.

Relevant EU-Directive:

2014/35/EU

Low Voltage Directive

Harmonized standard applied:

EN 60204-1:2018

Safety of machinery – Electrical equipment of machines –
General requirements

Relevant EU-Directive:

2014/30/EU

EMC Directive

Harmonized standards applied:

EN 55011:2016 + A1:2017
+ A11:2020 + A2:2021

Industrial, scientific and medical equipment –
Radio-frequency disturbance characteristics – Limits and methods
of measurement

EN IEC 61000-3-2:2019

Electromagnetic compatibility (EMC) – Limits – Limit for harmonic
current emissions (equipment input current ≤ 16 A per phase)

EN 61000-3-3:2013 + A1:2019

Electromagnetic compatibility (EMC) – Limits – Limitation of voltage
changes, voltage fluctuations and flicker in public low-voltage supply
systems, for equipment with rated current ≤ 16 A per phase and not
subject to conditional connection

EN IEC 61000-6-2:2019

Electromagnetic compatibility (EMC) – Generic standards –
Immunity for industrial environments

Relevant EU-Directives:

2011/65/EU

RoHS Directive

(EU) 2015/863

RoHS Delegated Directive

in the version effective at the time of delivery.

Eltex-Elektrostatik-Gesellschaft mbH keep the following documents for inspection:

- proper operating instructions
- plans
- other technical documentation

Weil am Rhein, 05.11.2024
Place/Date



Lukas Hahne, Managing Director

UKCA Declaration of Conformity

CA-2089-en-2405

Eltex-Elektrostatik-Gesellschaft mbH
Blauenstraße 67 - 69
D-79576 Weil am Rhein



declares in its sole responsibility that the product

Power Supply Type ES51, ES53, ES60, ES61 (according to Eltex reference code)

complies with the following directives and standards.

Applicable Regulation:

S.I. 2016 No. 1101

Electrical Equipment (Safety) Regulations

Used Designated Standard:

BS EN 60204-1:2018

Applicable Regulation:

S.I. 2016 No. 1091

Electromagnetic Compatibility Regulations

Used Designated Standard:

BS EN IEC 61000-3-2:2019+A1:2021

BS EN 61000-3-3:2013+A2:2021

BS EN IEC 61000-6-2:2019

BS EN 55011:2016+A2:2021

Applicable Regulation:

S.I. 2012 No. 3032

RoHS Regulations

in the version effective at the time of delivery.

Eltex-Elektrostatik-Gesellschaft mbH keep the following documents for inspection:

- proper operating instructions
- plans
- other technical documentation

Weil am Rhein, 14.05.2024
Place/Date



Lukas Hahne, Managing Director

Eltex offices and agencies

The addresses of all
Eltex agencies can be
found on our website at
www.eltex.de



z01007y



Eltex-Elektrostatik-Gesellschaft mbH
Blauenstraße 67-69
79576 Weil am Rhein | Germany
Phone +49 (0) 7621 7905-422
eMail info@eltex.de
Internet www.eltex.de